



PSB PLC Splitter Fiber Optic Enclosure



Front Cabling Rack (optional)



PSB PLC Splitter Fiber Optic Enclosure LGX Footprint

Description

T&S PSB PLC splitter enclosure provides a modular PLC splitter management solution with multiple terminations and in-and-out configurations. The adapter plate is designed for quick installation and easy access to the splitter ports. Fiber management is integrated to module plate to facilitate efficient fiber management.

Features

- LGX footprint
- Material: Cold-rolled steel and aluminum
- Textured black powder coat finish
- Universal 19" rack and compatibility
- Detachable top cover and front cabling rack

Applications

- Data Centers
- Enterprise Network
- Telecommunications Cabinet
- Central Office

Specifications

Rack Unit	1U	Front Panel Material	Cold-rolled Sheet
Material (Body)	Cold-rolled Sheet or Aluminium	Material (Front Cabling Rack)	Cold-rolled Sheet
Installation	Rack-mount	Surface	Black Powder Coat Finish
Dimension (HWD)*	44*483*200 (mm)	Weight	3.5 Kg (Cold-rolled Sheet)
			1.5 Kg (Aluminum)

*Remark: Depth reaches up to 315mm when front cabling rack is mounted.

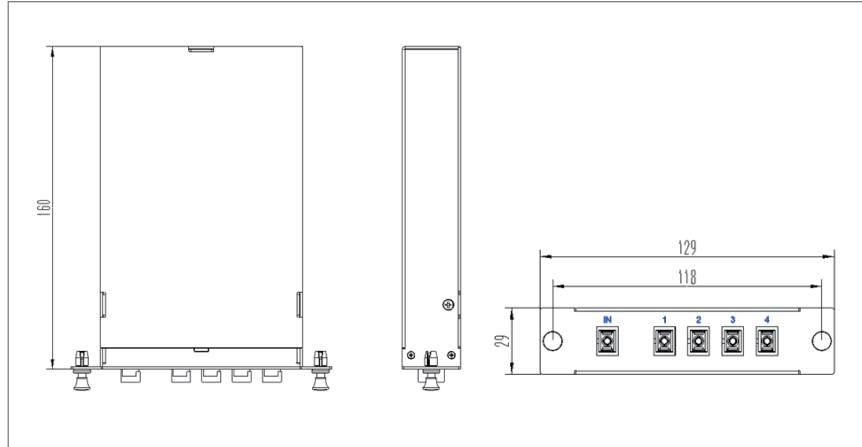
Ordering Information

Part Number	Description
PSB-E1U	PSB, PLC Splitter Enclosure, 19" 1U, 3 Slots for LGX, Black, Without Adapters
AC0-R01GG	Fiber Management Cabling Rack (Front), 19" , Cold-rolled Sheet



LGX Box Specifications

Rack Unit	1U	Adapter Panel Material	Cold-rolled Sheet
Body Material	Cold-rolled Sheet/Aluminium	Surface	Black Powder Coat Finish
Dimension (HWD)	29*129*160 (mm)	Weight	0.63 Kg (Cold-rolled Sheet) 0.25 Kg (Aluminum)



Module Configuration

	Panel	1X4 SC LGX		Panel	1x8 SC LGX
	Adapter	SC (Simplex)		Adapter	SC (Simplex)
	Part Number*	PSB-XB104SC00		Part Number*	PSB-XB108SC00
	Panel	2x8 LC LGX		Panel	2x16 LC LGX
	Adapter	LC (duplex)		Adapter	LC (Duplex)
	Part Number*	PSB-XB208LD00		Part Number*	PSB-XB216LD00

* Remark: The part number refers to a module cassette without adapters.

Ordering Information

Category	Part Number	Description
SC	PSB-XB104SC00	PSB, PLC LGX Box with 1x4 SC port, Without Adapters
	PSB-XB108SC00	PSB, PLC LGX Box with 1x8 SC port, Without Adapters
LC	PSB-XB208LD00	PSB, PLC LGX Box with 2x8 LC (duplex) port, Without Adapters
	PSB-XB216LD00	PSB, PLC LGX Box with 2x16 LC (duplex) port, Without Adapters